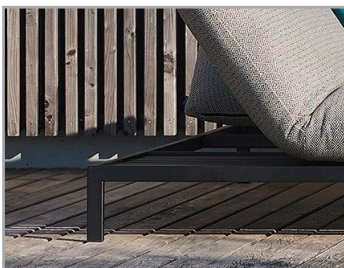
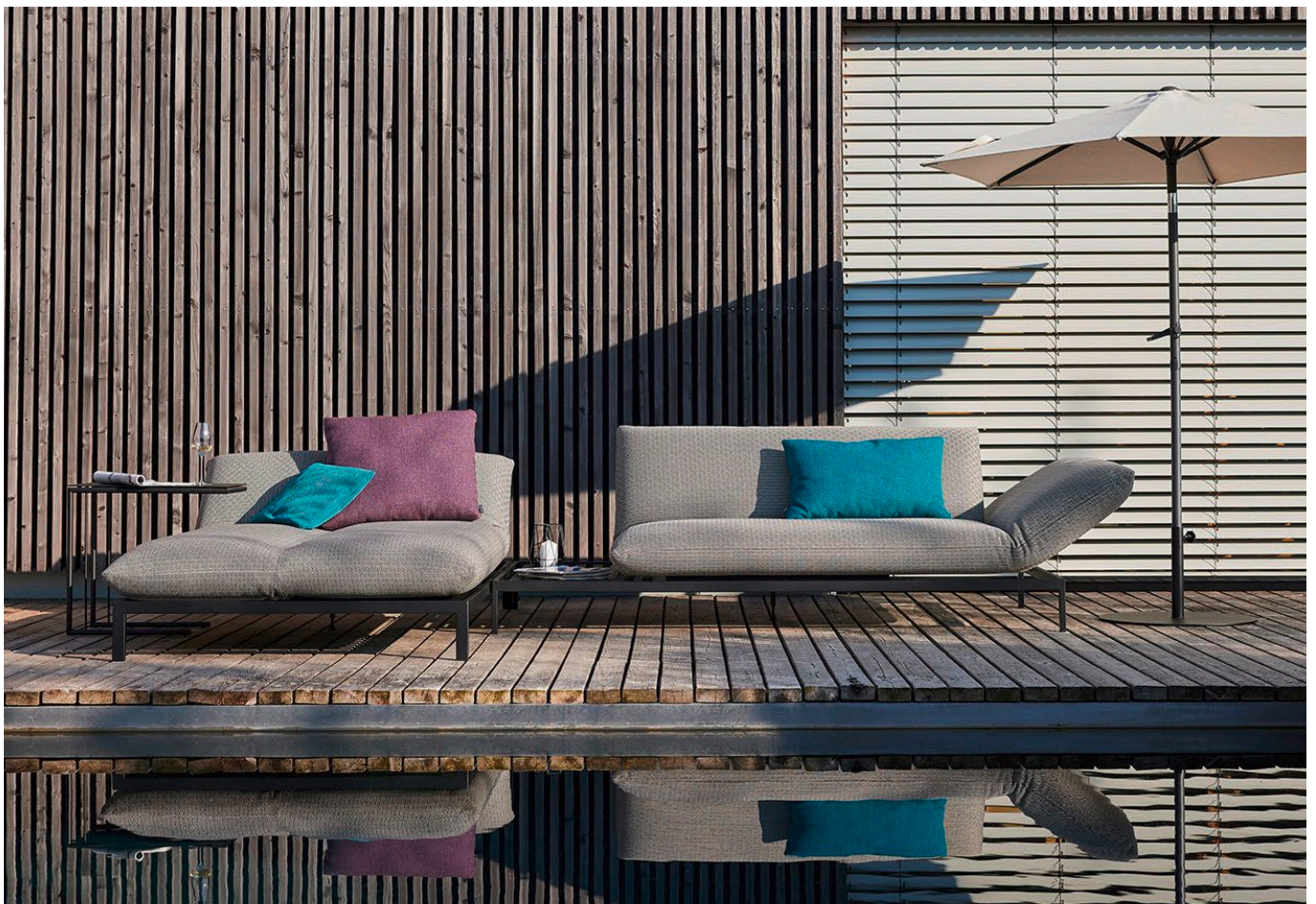


# ASSEMBLY AND INSTRUCTION MANUAL

## MODEL OD2212 KAYA

© 2022 KURT BEIER & KATI QUINGER



Metal frame, matt black  
fine structure coated



Armrest and back  
completely foldable

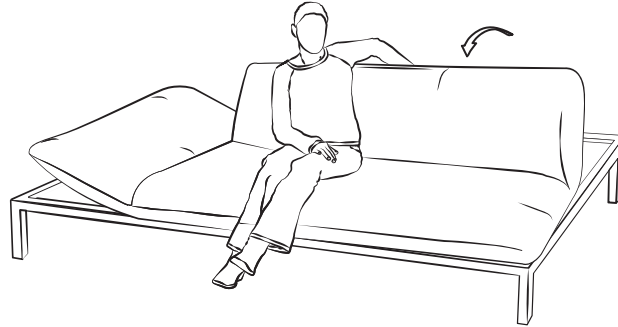


With practical shelf  
due to lateral seat adjustment

## Use of back- and armrest function

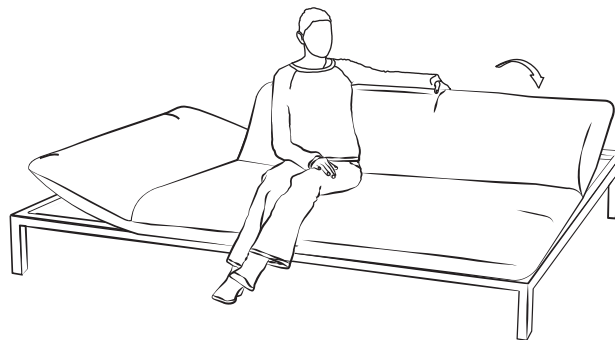
Adjustment of back slant:

1. To adjust the desired position grip the back from the outside and pull it carefully into your direction.



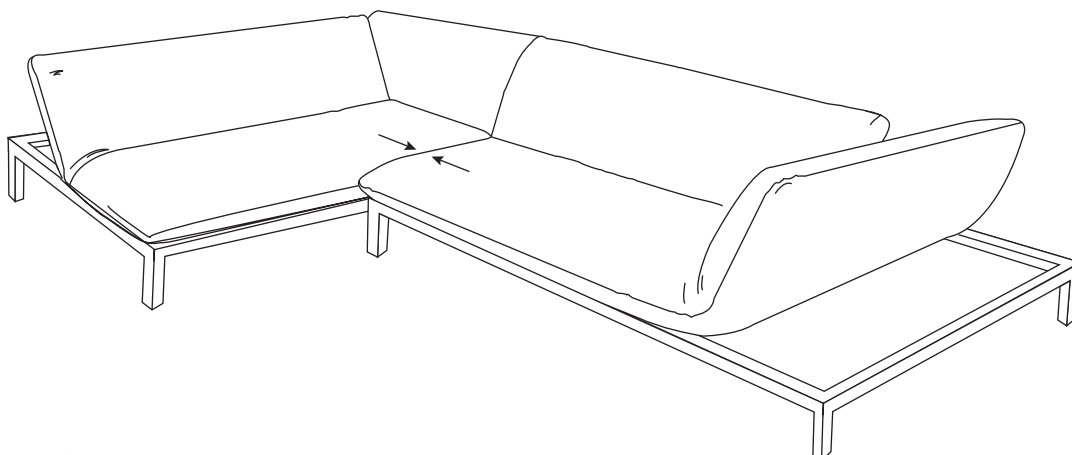
2. To obtain zero position pull the back carefully beyond the top position into your direction and fold down into zero position.

3. From zero position you can easily snap the back into desired position.



To adjust armrest, proceed the same way.

Kaya does not need connectors to build a corner group.



**ATTENTION!**

**DON'T SIT DOWN ON BACK OR ARMREST EXCEPT THEY ARE AT LOWEST POSITION.**

## Connector clips:

1. Push 2 elements together.
2. Connect the frames of the elements with 2 connector clips (a) from above.

